

DEK CANADA INC.

OPENING DOORS FOR PROFESSIONALS

Commercial

Garage Door Openers and Accessories

Price List



Prices effective as of January 1st, 2009.
Prices may change without notice.

SAFETY INFORMATION



WARNING



The following should be read by anyone involved in the design, specification, selection, or purchase of an industrial door operator or automated door system.

Automated Door Systems

For the purposes of this Safety Information, an automated door system consists of a vehicular door, an electric door operator, control equipment to interface with the door operator, and safety equipment to protect people and property.

Vehicular Doors

A vehicular door is a large, heavy object that moves with the help of an electric motor. A moving door can cause **SERIOUS INJURY OR DEATH!** The safety and well-being of others depends on the design of a safe system.

The door itself must be properly balanced, aligned and work freely and smoothly by hand. The door operator is not intended to operate a poorly installed, improperly balanced or worn-out door. The use of a door operator to attempt to compensate for any door defect can result in a dangerous situation.

Door Operator Selection

The proper door operator must be selected for the application. Pay attention to all application information in this catalog, including door type, size, voltage and control wiring. **IMPROPER SELECTION CAN RESULT IN A DANGEROUS SYSTEM.** Be sure you understand the application and limitations of the model door operator you select for your door. If you are in doubt, contact your sales representative.

Control Accessories

Door operators can present serious hazards to persons in the immediate area when not controlled in a safe manner or by responsible persons. Choose one or more controls that together will allow complete control of the door. Most im-

portantly, **THE DOOR MUST BE ABLE TO BE STOPPED** at all times in case of emergency and the control for stopping should be conveniently located and clearly marked and visible.

All controls should be located **OUT OF REACH OF SMALL CHILDREN. SERIOUS INJURY OR DEATH CAN RESULT FROM CHILDREN PLAYING WITH CONTROLS.**

ALL CONTROLS SHOULD BE LOCATED SO THAT THE PERSON OPERATING THEM CAN SEE THE FULL AREA OF DOOR MOVEMENT, but should not be so close that a person starting the door could be injured due to his/her proximity to the door.

Be especially careful in designing systems with automatic controls, that is, controls that can cause the door to operate without warning to persons in the immediate door area. Such controls include, but are not limited to, radio controls, remote mounted access controls, telephone access systems and timing devices. **SAFETY EQUIPMENT AND SIGNS WARNING OF THE AUTOMATIC OPERATION ARE A MUST IN THE DESIGN OF SUCH A SYSTEM.**

Safety Accessories

IT IS STRONGLY RECOMMENDED THAT SAFETY EQUIPMENT BE USED WITH EVERY DOOR OPERATOR. There are many types of safety devices available; sensing edges, photo-electric controls, motion detectors and vehicle detectors are some of the more common types of entrapment protection devices shown in the **SAFETY ACCESSORIES** section of this catalog. Audible and/or visible warning devices are recommended when automatic controls are used in the door operating system. A variety of warning signs and labels are also offered in this section. **WITHOUT SAFETY EQUIPMENT THE DOOR COULD CAUSE SERIOUS INJURY OR DEATH!**

TO ORDER CALL DEK CANADA AT 1-800-361-3198 OR FAX AT 514-685-5804



Commercial Garage Door Openers - **LiftMaster**

ATS - LIGHT-DUTY TROLLEY OPERATOR



For use on residential light-duty commercial doors up to 14' high, 8 cycles per hour.

1/2 HP, for doors up to 375 lbs.

| Model | Volts | Amp | Ph | Hz | List Price |
|-----------|-------|-----|----|----|------------|
| ATS 2113X | 115 | 5 | 1 | 60 | \$503.00 |

Additional Track - for doors higher than 8 ft.

Add to list price

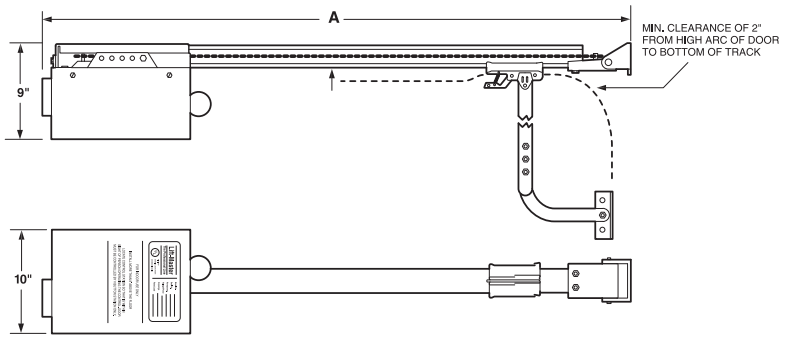
| | |
|--|----------|
| 10' ATS Trolley Track upcharge | \$32.00 |
| 12' ATS Trolley Track upcharge | \$58.00 |
| 14' ATS Trolley Track upcharge | \$118.00 |
| Center Support Bracket (package of 6 brackets) Model 50111 | \$62.00 |

Standard Features:

- Radio receiver included will accept 8 Security+® remotes and one keyless entry
- Includes Photo-eyes
- High-torque 1/2 HP 115V single-phase motor with instant reverse
- Heavy-Duty steel "I-beam" configured trolley track
- Automatic safety reverse/automatic door stop
- Auto-reconnect trolley
- 1-button control station
- Automatic light delay
- Door speed 8 to 9 inches per second
- Shipping weight 67 lbs

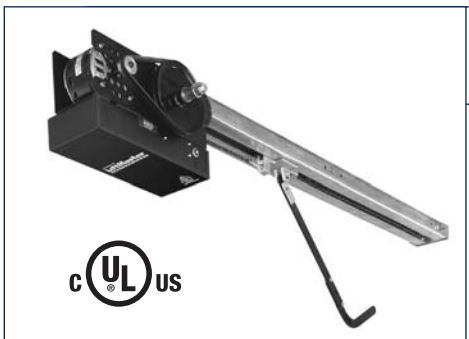
1-year Warranty

Technical Information



| Door Height | 8' | 10' | 12' | 14' |
|---------------|---------------------|---------------------|---------------------|---------------------|
| A - Dimension | Door Height + 3'-3" | Door Height + 3'-3" | Door Height + 3'-9" | Door Height + 3'-9" |

MT - MEDIUM-DUTY TROLLEY OPERATOR



For use on standard lift sectional doors up to 14' high, 12 cycles per hour.

1/2 HP, for doors up to 450 lbs.

| Model | Volts | Amp | Ph | Hz | List Price |
|----------|-------|-----|----|----|------------|
| MT 50 11 | 115 | 6.5 | 1 | 60 | \$536.00 |
| MT 50 25 | 230 | 3.0 | 1 | 50 | \$600.00 |

Additional Track - for doors higher than 12 ft.

Add to List Price

| | |
|-------------------------|---------|
| For doors up to 14 feet | \$21.00 |
|-------------------------|---------|

Standard Features:

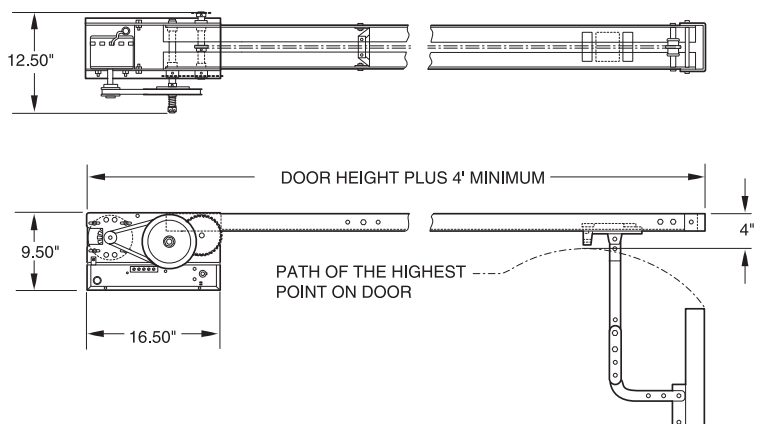
- High starting-torque motor with overload protection
- 24 VAC Control Circuit
- Auxiliary Reversal System
- 3-button control station
- Heavy-Duty 4L V-Belt, #48 chain
- Heavy-Duty 2" X 2" double-angle iron track
- Door speed 8 to 10 inches per second
- Shipping weight 105 lbs

2-year Warranty

Options:

- See page 15 for available modifications

Technical Information



TO ORDER CALL DEK CANADA AT 1-800-361-3198 OR FAX AT 514-685-5804

T - LOW-PROFILE INDUSTRIAL-DUTY TROLLEY OPERATOR



For use on industrial sectional overhead doors with standard lift. Continuous duty.

1/2 HP, for doors up to 650 lbs.

| Model | Circuit Type | Volts | Ph | Hz | List Price |
|---------|--------------|---------|----|----|------------|
| T 50 11 | L3 or M | 115 | 1 | 60 | \$640.00 |
| T 50 21 | L3 or M | 230 | 1 | 60 | \$664.00 |
| T 50 23 | L3 or M | 208/230 | 3 | 60 | \$692.00 |
| T 50 43 | L3 or M | 460 | 3 | 60 | \$707.00 |
| T 50 53 | L3 or M | 575 | 3 | 60 | \$692.00 |
| T 50 25 | M | 230 | 1 | 50 | \$748.00 |
| T 50 38 | M | 380 | 3 | 50 | \$707.00 |

3/4 HP, for doors up to 800 lbs.

| Model | Circuit Type | Volts | Ph | Hz | List Price |
|---------|--------------|---------|----|----|------------|
| T 75 11 | L3 or M | 115 | 1 | 60 | \$779.00 |
| T 75 21 | L3 or M | 230 | 1 | 60 | \$800.00 |
| T 75 23 | L3 or M | 208/230 | 3 | 60 | \$842.00 |
| T 75 43 | L3 or M | 460 | 3 | 60 | \$865.00 |
| T 75 53 | L3 or M | 575 | 3 | 60 | \$842.00 |
| T 75 25 | M | 230 | 1 | 50 | \$848.00 |
| T 75 38 | M | 380 | 3 | 50 | \$865.00 |

**Additional Track - For doors higher than 12 ft.
Add to the list price**

| | |
|---------------------|----------|
| Doors up to 14 feet | \$21.00 |
| Doors up to 16 feet | \$39.00 |
| Doors up to 18 feet | \$58.00 |
| Doors up to 20 feet | \$74.00 |
| Doors up to 24 feet | \$108.00 |

1 HP, for doors up to 1000 lbs. - CALL FOR PRICING

Standard Features:

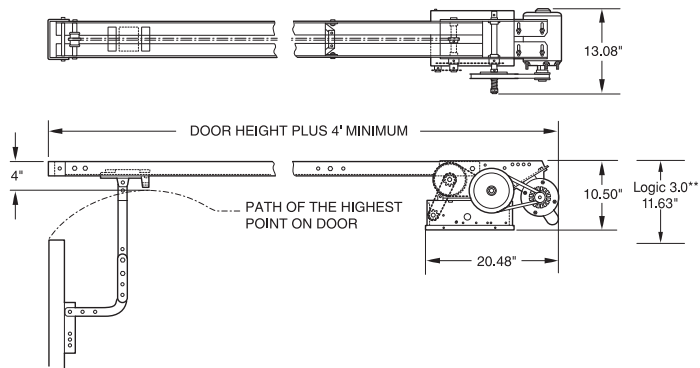
- Choice of 2 Control Circuits:
 - Logic 3.0 Control Board (L3) includes:
 - 315 MHz receiver accepts up to 23 Security+® or dipswitch remotes
 - Maintenance alert system
 - Maximum run timer
 - Delay on reverse
 - Programmable midstop
 - Timer to close (requires CPS-L or CPS-LN4)
 - Reversing Contactor Circuit (M)
- High starting-torque continuous-duty motor with overload protection
- Heavy-duty 5L V-belt
- #48 roller chain drive on 1/2 HP model
- #41 roller chain drive on 3/4, 1 HP models
- 3-button control station
- Industrial ball bearings on output shaft
- External radio control terminals
- 24VAC control circuit (M), 5V DC (L3)
- Adjustable friction clutch
- Emergency disconnect for manual operation
- Solenoid brake on 3/4 and 1 HP units standard
- Door speed 8 to 12 inches per second
- Approximate shipping weight - 130 lbs



Options:

- See page 15 for available modifications

Technical Information



| | | OPERATOR AMP RATING (Full Load) | | | | |
|-----------------|--------|---------------------------------|------|------|------|-------|
| | | HP | 1/2 | 3/4 | 1 | 1-1/2 |
| VOLTAGE - PHASE | 60 HZ | 115-1Ø | 11.2 | 11.2 | 13.6 | 17.5 |
| | | 230-1Ø | 5.6 | 5.6 | 6.8 | 8.7 |
| | | 208/230-3Ø | 3.1 | 3.1 | 4.0 | 6.6 |
| | | 460-3Ø | 1.4 | 1.4 | 1.8 | 5.0 |
| | | 575-3Ø | 1.2 | 1.2 | 1.4 | 2.4 |
| 50 HZ | 230-1Ø | 3.6 | 5.0 | 6.2 | 8.0 | |
| | 380-3Ø | 1.7 | 1.7 | 2.2 | 6 | |



Commercial Garage Door Openers - **LiftMaster**

GT - HEAVY INDUSTRIAL-DUTY TROLLEY OPERATOR



For use on standard lift sectional doors, continuous duty.

3/4 HP, for doors up to 950 lbs.

| Model | Circuit Type | Volts | Ph | Hz | List Price |
|----------|--------------|---------|----|----|------------|
| GT 75 11 | L3 or M | 115 | 1 | 60 | \$1,305.00 |
| GT 75 21 | L3 or M | 230 | 1 | 60 | \$1,312.00 |
| GT 75 23 | L3 or M | 208/230 | 3 | 60 | \$1,368.00 |
| GT 75 43 | L3 or M | 460 | 3 | 60 | \$1,368.00 |
| GT 75 53 | L3 or M | 575 | 3 | 60 | \$1,368.00 |
| GT 75 25 | M | 230 | 1 | 50 | \$1,449.00 |
| GT 75 38 | M | 380 | 3 | 50 | \$1,368.00 |

1 HP, for doors up to 1150 lbs.

| Model | Circuit Type | Volts | Ph | Hz | List Price |
|----------|--------------|---------|----|----|------------|
| GT 10 11 | L3 or M | 115 | 1 | 60 | \$1,424.00 |
| GT 10 21 | L3 or M | 230 | 1 | 60 | \$1,444.00 |
| GT 10 23 | L3 or M | 208/230 | 3 | 60 | \$1,505.00 |
| GT 10 43 | L3 or M | 460 | 3 | 60 | \$1,505.00 |
| GT 10 53 | L3 or M | 575 | 3 | 60 | \$1,505.00 |
| GT 10 25 | M | 230 | 1 | 50 | \$1,548.00 |
| GT 10 38 | M | 380 | 3 | 50 | \$1,505.00 |

**Additional Track - For doors higher than 12 ft.
Add to the list price**

| | |
|---------------------|----------|
| Doors up to 14 feet | \$21.00 |
| Doors up to 16 feet | \$39.00 |
| Doors up to 18 feet | \$58.00 |
| Doors up to 20 feet | \$74.00 |
| Doors up to 24 feet | \$108.00 |

1 1/2 HP, for doors up to 1300 lbs. -

CALL FOR PRICING

Standard Features:

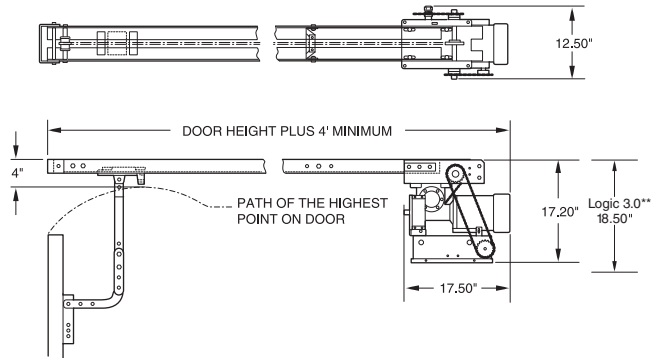
- Choice of 2 Control Circuits:
 - Logic 3.0 Control Board (L3) includes:
 - 315 MHz receiver accepts up to 23 Security+® or dipswitch remotes
 - Maintenance alert system
 - Maximum run timer
 - Delay on reverse
 - Programmable midstop
 - Timer to close (requires CPS-L or CPS-LN4)
 - Reversing Contactor Circuit (M)
- High-starting torque continuous-duty motor with overload protection
- 3-button control station
- Industrial ball bearings on output shaft
- External radio control terminals
- 24VAC control circuit (M), 5V DC (L3)
- Solenoid-actuated disc brake
- Heavy-duty wormgear-in-oil-bath speed reducer
- Industrial-duty adjustable torque limiter
- Emergency disconnect for manual operation
- Quiet-gliding rail spacers
- #41 roller chain drive
- Door speed approximately 11 to 12 inches per second
- Approximate shipping weight – 160 lbs.

**2-year
Warranty**

Options:

- See page 15 for available modifications

Technical Information

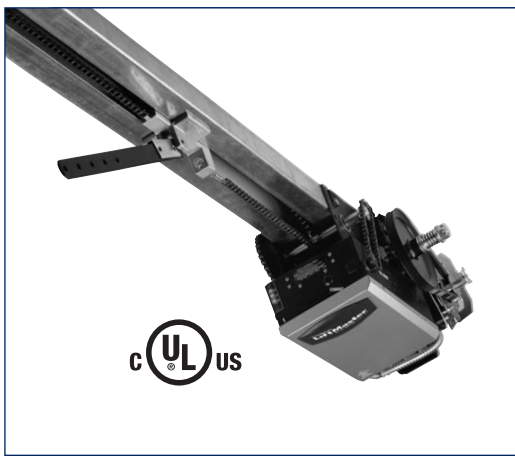


OPERATOR AMP RATING (Full Load)

| VOLTAGE - PHASE | HP | | | | |
|-----------------|------------|------|------|-------|------|
| | 1/2 | 3/4 | 1 | 1-1/2 | |
| 60 HZ | 115-1Ø | 11.2 | 11.2 | 13.6 | 17.5 |
| | 230-1Ø | 5.6 | 5.6 | 6.8 | 8.7 |
| | 208/230-3Ø | 3.1 | 3.1 | 4.0 | 6.6 |
| | 460-3Ø | 1.4 | 1.4 | 1.8 | 5.0 |
| | 575-3Ø | 1.2 | 1.2 | 1.4 | 2.4 |
| 50 HZ | 230-1Ø | 3.6 | 5.0 | 6.2 | 8.0 |
| | 380-3Ø | 1.7 | 1.7 | 2.2 | 6 |

TO ORDER CALL DEK CANADA AT 1-800-361-3198 OR FAX AT 514-685-5804

APT - LOW-PROFILE APARTMENT HOUSE OPERATOR



For use on standard lift sectional doors which require over 100 cycles per day.

1/2 HP, for doors up to 450 lbs.

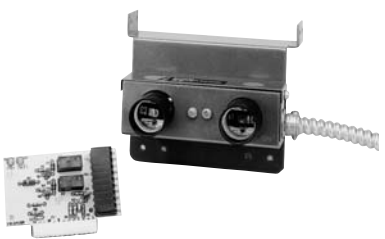
| Model | Circuit Type | Volts | Ph | Hz | List Price |
|-----------|--------------|-------|----|----|------------|
| APT 50 11 | L3 | 115 | 1 | 60 | \$891.00 |

| Additional Track - For doors higher than 12 ft. | Add to List Price |
|---|-------------------|
| For doors up to 14 feet | \$21.00 |
| For doors up to 16 feet | \$39.00 |
| For doors up to 18 feet | \$58.00 |
| For doors up to 20 feet | \$74.00 |
| For doors up to 24 feet | \$108.00 |

Recommended Options

Warning Device Option Board with Red/Green Light Box

- Signals if door is moving or stationary
- Will signal red prior to the closing of the door when CPS-L or CPS-LN4 timer function is used
- Other 120V or 24V signal devices can also be attached



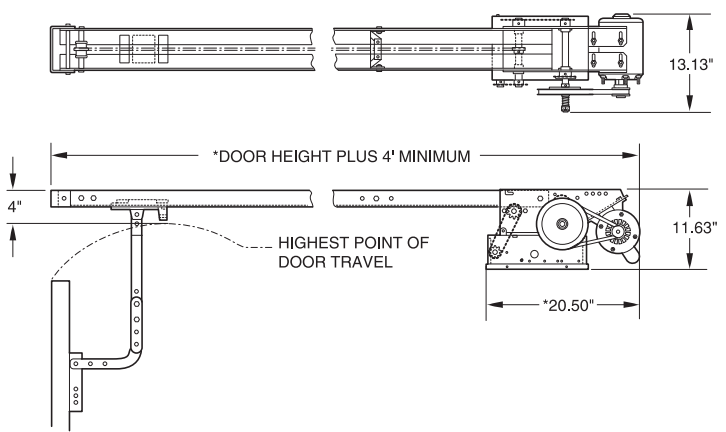
#RDGRNCARD **Add to List Price** \$96.00

Standard Features:

- Logic 3.0 Control Board includes:
 - 315 MHz receiver accepts up to 23 Security+® or dipswitch remotes
 - Maintenance alert system
 - Maximum run timer
 - Delay on reverse
 - Programmable midstop
 - Timer to close (requires CPS-L or CPS-LN4)
- 1/2 HP, 115V single-phase resilient-mount motor for quiet operation
- Industrial ball bearings on output shaft
- Includes solenoid brake
- Quick disconnect trolley assembly with auto-reconnect feature and nylon inserts for quiet operation
- Heavy-duty 5L V-belt, #48 roller chain drive
- 3-button control station
- Control circuit 5V DC (L3)
- Adjustable friction clutch
- Trolley track for doors up to 12' high standard
- Door speed 6 to 7 inches per second
- Approximate shipping weight - 130 lbs.



Technical Information



| OPERATOR AMP RATING (Full Load) | | |
|---------------------------------|--------|-----|
| HP | | |
| 1/2 | | |
| VOLTAGE - PHASE 60 HZ | 115-1Ø | 8.0 |

Options:

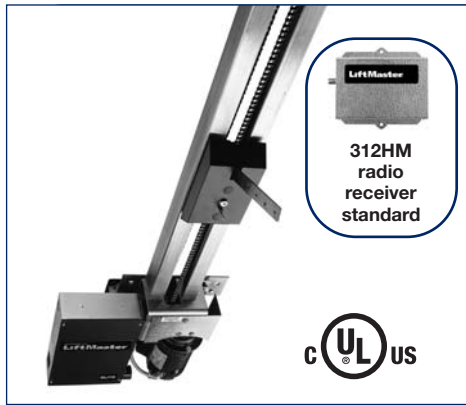
- See page 15 for available modifications

TO ORDER CALL DEK CANADA AT 1-800-361-3198 OR FAX AT 514-685-5804



Commercial Garage Door Openers - **LiftMaster**

HCT - ULTIMATE, GEAR REDUCED, HIGH TRAFFIC OPERATOR



For high-cycle standard lift sectional doors up to 12' high. Continuous duty.

1/2 HP, for doors up to 450 lbs.

| Model | Door Height | Circuit | Volts | Ph | Hz | List Price |
|-----------|-------------|---------|-------|----|----|------------|
| HCT501130 | 8 | O | 115 | 1 | 60 | \$2,332.00 |
| HCT501130 | 10 | O | 115 | 1 | 60 | \$2,470.00 |
| HCT501130 | 12 | O | 115 | 1 | 60 | \$2,608.00 |

Recommended Options



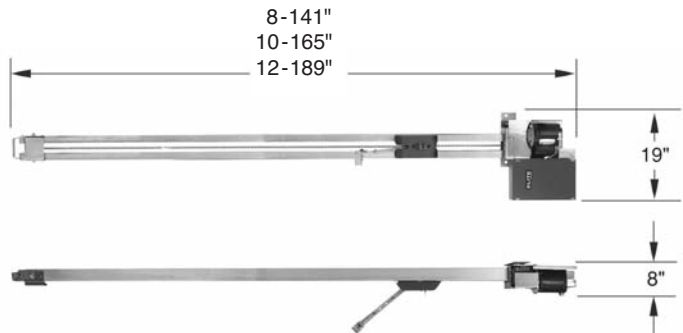
Packages

| Quantity | Part Number | Description | List Price |
|---|-------------|------------------|------------|
| 1 | OMNI EXB | Omni ext board | \$94.00 |
| 1 | 02-103 | 3-button station | |
| 71-REDGRN-HCT Red/Green Warning Light Box | | | \$248.00 |

Standard Features:

- Omni control board (0) includes:
 - LEDS to indicate all input and output functions
 - Adjustable timer to close (3 to 60 seconds)
 - Loop detector input
 - On-Board 3-button control station (open/stop/close)
 - Convenient on/off switch controls power to the board
- Omni Extension board required to operate external 3-button control station. Both sold separately.
- 312HMC Universal coaxial receiver with Security+®
- Ultra low profile design - only 8" thick
- High starting-torque continuous duty C faced 1/2 HP 115V motor with digital overload protection
- Heavy-Duty wormgear-in-oil-bath speed reducer with 40:1 reduction.
- Heavy-Duty noise isolators on chassis to prevent noise and vibration
- UMHV front end idler for durability and quiet operation
- Emergency disconnect with key release for manual operation
- Reversing sensor - the two way reversing sensor and the alarm system are standard features
- Inputs for Radio receiver, sensor, key switch, telephone entry system
- #41 Chain standard for increased performance and durability
- Door speed 8-12 inches per second
- Shipping weight
 - HCT8 165 lbs
 - HCT10 188lbs
 - HCT12 193 lbs

Technical Information

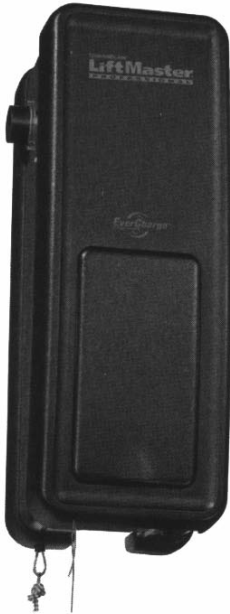


| OPERATOR AMP RATING (Full Load) | | |
|---------------------------------|--------|-----|
| HP | | |
| 1/2 | | |
| VOLTAGE - PHASE 60 HZ | 115-1Ø | 4.1 |

5-year Warranty

TO ORDER CALL DEK CANADA AT 1-800-361-3198 OR FAX AT 514-685-5804

3900 LIGHT-DUTY JACKSHAFT DOOR OPERATOR



The Model 3900 is designed for use on light-duty commercial standard or high lift sectional doors. Maximum recommended duty cycle: 10 cycles per hour.

| Model | Volts | Hz | List Price |
|-------|-------|----|---------------|
| 3900 | 120 | 60 |\$392.00 |

Installation Requirements:

- For standard and high-lift commercial sectional doors with torsion assemblies
- For doors up to 14 feet high, 18 feet wide or 180 square feet maximum
- Maximum allowable door weight is 650 lbs.

Standard Features:

- Heavy-duty 24V DC motor provides ultra-quiet operation, along with variable speed smooth start and stop
- Rated up to 10 cycles per hour
- Push button limit settings
- Compact design
- Lifetime motor warranty
- UL 325 compliant.

Installation Features:

- Wall-mounted installation: Mounts on the left or right side of door. No rails to hang, the operator simply mounts on the wall and attaches to the door torsion bar. Unit requires an electrical outlet within 6 feet
- Patented absolute positioning technology: The newest technology in commercial door openers. This patented design allows the electronic limits to be extremely accurate, even after a power failure

Additional Features:

- Quick-Connect™ terminals: For faster wire installation
- 6-foot power cord: Makes connection to a power source easier than ever

Standard Accessories:

- The Protector System® safety sensor: Projects an invisible beam across commercial door opening. If anything interrupts the beam while the door is closing, door automatically reverses before making contact. If beam is obstructed, door will not close.

Optional Accessories



- EverCharge® Standby Power System: During a power failure the battery backup system will operate the door opener for up to 20 full cycles within a 24-hour period
475LMC - Net price ..\$60.30



- Power door lock: The lock prevents the door from being manually forced opened once fully closed.
41A6102 - Net price\$42.51



- Remote work light: Add as many lights as required. All lights can be turned on and off by opener activation.
380LMC-Net price\$36.90



- Alternate Mounting Kit: Allows operator to be mounted below the torsion bar when the torsion bar is not round or the normal mounting area is obstructed.
480LMC- Net Price\$78.50



Commercial Garage Door Openers - **LiftMaster**

LGO - LIGHT-DUTY GEAR-REDUCED OPERATOR



For use on industrial sectional doors with high or vertical lift and on rolling doors, shutters and grilles. 8 cycles per hour.

1/2 HP, for doors up to 350 lbs.

| Model | Volts | Ph | Hz | List Price |
|------------|-------|----|----|------------|
| LGO 50 113 | 115 | 1 | 60 | \$514.00 |

Door Sprocket Substitutions

| Sprocket | Description | List Price |
|--------------------------------------|--|-------------|
| 41B32 | 1" Bore, 1/4" Keyway, Standard for rolling doors | N/C |
| 41B32 | Non-standard Bore and Keyway for rolling doors | \$15.00 |
| 41B20 | 1" Bore, 1/4" Keyway, Standard for sectional doors | N/C |
| For all other sprocket substitutions | | Consult DEK |

Recommended Options

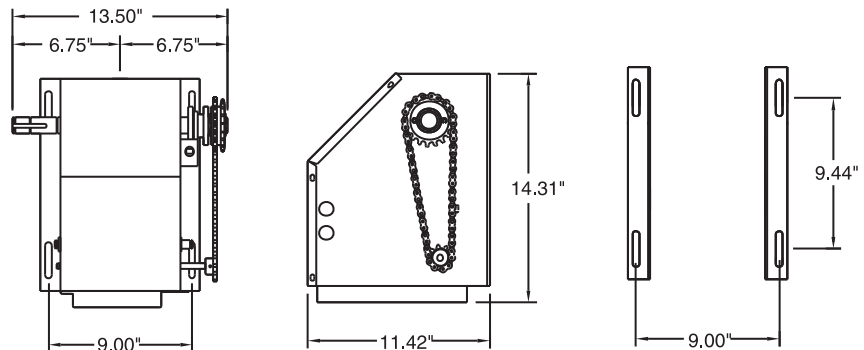
| Part # | Description | List Price |
|----------|--|------------|
| LGOSE | Wiring Kit (for use with 2-wire safety edges) | \$17.00 |
| 10-16162 | Hood-Mount Bracket (may be welded) | \$58.00 |
| CPS-L | Commercial Protector System® (Industrial Photo-Eyes) | \$140.00 |
| CPS-LN4 | Commercial Protector System® (NEMA 4) | \$230.00 |
| 02109 | Spring to Center (Open/Close) Tamperproof Key Switch | \$86.00 |

Standard Features:

- Built-in 315 MHz radio receiver
- High starting-torque motor with over-load protection
- 3-button control station – Note: “Normally open” stop button control station
- 24VAC control circuit
- Internal door lock sensor, adjustable
- Floor level disconnect for emergency manual operation
- Approximate shipping weight – 45 lbs.

***Special note:** In order to connect a 2-wire sensing edge, you must order the optional LGOSE Wiring Kit (see Options).

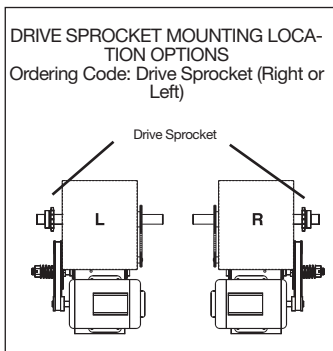
Technical Information



2-year Warranty

For LGO only

| Side of Door | Operator Handing | Hood-Mount | Wall-Mount |
|--------------|------------------|--------------|--------------|
| Left | L | LGO 50 113 L | LGO 50 113 R |
| Right | R | LGO 50 113 R | LGO 50 113 L |



| OPERATOR AMP RATING (Full Load) | | |
|---------------------------------|-------|--------|
| | | HP |
| | | 1/2 |
| VOLTAGE - PHASE | 60 HZ | 115-1Ø |
| | | 5.0 |

TO ORDER CALL DEK CANADA AT 1-800-361-3198 OR FAX AT 514-685-5804

MJ / MH MEDIUM-DUTY JACKSHAFT OPERATOR



MJ



For use on small rolling doors, grilles and industrial sectional doors with high or vertical lift. 12 cycles per hour.

1/2 HP, for doors up to 475 lbs.

| Model | Volts | Ph | Hz | List Price |
|----------|-------|----|----|------------|
| MJ 50 11 | 115 | 1 | 60 | \$561.00 |
| MJ 50 25 | 230 | 1 | 50 | \$625.00 |

1/2 HP, for doors up to 475 lbs.

| Model | Volts | Ph | Hz | List Price |
|----------|-------|----|----|------------|
| MH 50 11 | 115 | 1 | 60 | \$621.00 |
| MH 50 25 | 230 | 1 | 50 | \$686.00 |



MH



Door Sprocket Substitutions

| Sprocket | Description | List Price |
|--------------------------------------|--|-------------|
| 41B32 | 1" Bore, 1/4" Keyway, Standard for sectional doors | N/C |
| 41B48 | Recommended for rolling doors (specify bore or keyway) | N/C |
| For all other sprocket substitutions | | Consult DEK |

Standard Features:

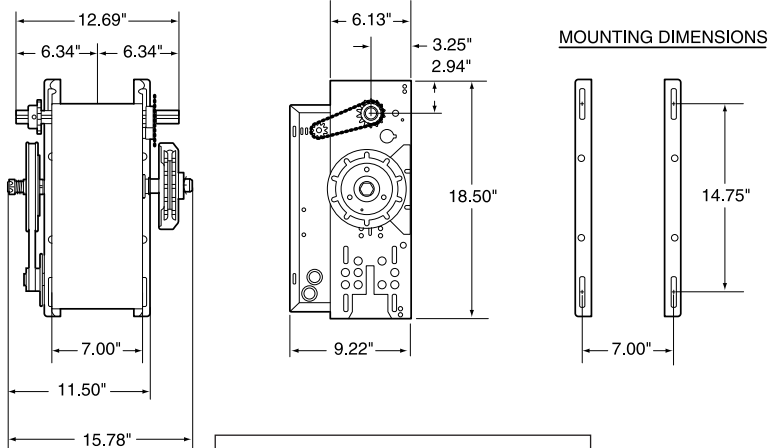
- Solenoid brake (standard)
- Chain hoist (MH only) with electrical interlock for manual door operation
- 3-button control station
- High starting-torque motor with overload protection
- Prewired to accept sensing devices
- 24VAC control circuit
- External radio control terminals
- Adjustable friction clutch
- Efficient V-belt primary drive, chain/sprocket secondary
- Door speed 8 to 9 inches per second
- Approximately shipping weight
 - 70lbs (MH)
 - 55lbs (MJ)

2-year Warranty

Options:

- See page 15 for available modifications

Technical Information



| OPERATOR AMP RATING (Full Load) | | | |
|---------------------------------|-------|--------|-----|
| | | H.P. | 1/2 |
| VOLTAGE - PHASE | 60 HZ | 115-1Ø | 6.5 |
| | 50 HZ | 230-1Ø | 3.0 |



J - INDUSTRIAL-DUTY JACKSHAFT OPERATOR



For use on industrial sectional doors with high or vertical lift, and rolling doors and grilles, continuous duty.

1/2 HP, for doors up to 650 lbs.

| Model | Circuit Type | Volts | Ph | Hz | List Price |
|---------|--------------|---------|----|----|------------|
| J 50 11 | L3 or M | 115 | 1 | 60 | \$743.00 |
| J 50 21 | L3 or M | 230 | 1 | 60 | \$759.00 |
| J 50 23 | L3 or M | 208/230 | 3 | 60 | \$790.00 |
| J 50 43 | L3 or M | 460 | 3 | 60 | \$805.00 |
| J 50 53 | L3 or M | 575 | 3 | 60 | \$790.00 |

3/4 HP, for doors up to 800 lbs.

| Model | Circuit Type | Volts | Ph | Hz | List Price |
|---------|--------------|---------|----|----|------------|
| J 75 11 | L3 or M | 115 | 1 | 60 | \$802.00 |
| J 75 21 | L3 or M | 230 | 1 | 60 | \$819.00 |
| J 75 23 | L3 or M | 208/230 | 3 | 60 | \$866.00 |
| J 75 43 | L3 or M | 460 | 3 | 60 | \$883.00 |
| J 75 53 | L3 or M | 575 | 3 | 60 | \$866.00 |

1 HP, for doors up to 1000 lbs. - CALL FOR PRICING

Door Sprocket Substitutions

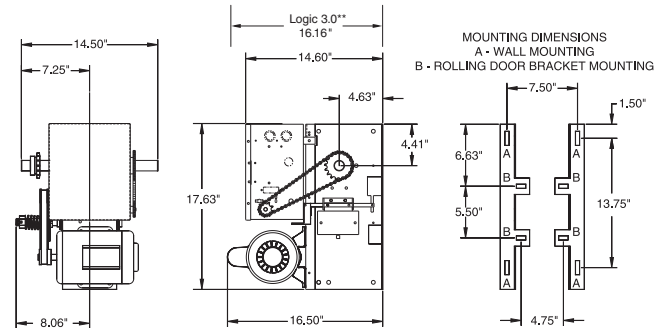
| Sprocket | Description | List Price |
|----------|---|------------|
| 50B40 | 1" Bore, 1/4" Keyway, Standard for rolling doors | \$16.00 |
| 50B18 | 1" Bore, 1/4" Keyway, Recommended for sectional doors | N/C |

For all other sprocket substitutions Consult DEK

Standard Features:

- Choice of 2 Control Circuits:
 - Logic 3.0 Control Board (L3) includes:
 - 315 MHz receiver accepts up to 23 Security+® or dipswitch remotes
 - Maintenance alert system
 - Maximum run timer
 - Delay on reverse
 - Programmable midstop
 - Timer to close (requires CPS-L or CPS-LN4)
 - Reversing Contactor Circuit (M)
- High-starting torque continuous-duty motor with overload protection
- 3-button control station
- PosiLock® mechanical holding brake
- 24V control circuit (M), 5V DC (L3)
- Adjustable friction clutch
- Heavy-duty 5L V-belt, #50 drive chain
- Floor level disconnect for emergency manual operation
- Door speed approximately 8 to 9 inches per second
- Approximate shipping weight – 95 lbs.

Technical Information



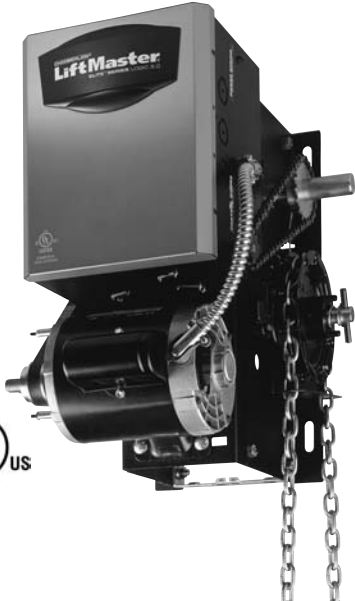
| | | OPERATOR AMP RATING (Full Load) | | | | |
|-----------------|-------|---------------------------------|-----|-----|------|------|
| | | HP | 1/3 | 1/2 | 3/4 | 1 |
| VOLTAGE - PHASE | 60 HZ | 115-1Ø | 6.6 | 8.2 | 11.2 | 13.6 |
| | | 230-1Ø | 3.3 | 4.1 | 5.6 | 6.8 |
| | | 208/230-3Ø | 2.2 | 2.2 | 2.9 | 3.4 |
| | | 460-3Ø | 1.0 | 1.0 | 1.4 | 1.7 |
| | | 575-3Ø | 0.8 | 0.8 | 1.2 | 1.4 |
| 50 HZ | | 230-1Ø | 3.8 | 3.8 | 5.0 | 6.2 |
| | | 380-3Ø | 1.2 | 1.2 | 1.7 | 2.0 |



Options:

- See page 15 for available modifications

H - INDUSTRIAL-DUTY HOIST OPERATOR



For use on rolling doors, grilles and industrial sectional doors with vertical or high lift. Continuous duty.

1/2 HP, for doors up to 650 lbs.

| Model | Circuit Type | Volts | Ph | Hz | List Price |
|---------|--------------|---------|----|----|------------|
| H 50 11 | L3 or M | 115 | 1 | 60 | \$858.00 |
| H 50 21 | L3 or M | 230 | 1 | 60 | \$872.00 |
| H 50 23 | L3 or M | 208/230 | 3 | 60 | \$905.00 |
| H 50 43 | L3 or M | 460 | 3 | 60 | \$936.00 |
| H 50 53 | L3 or M | 575 | 3 | 60 | \$905.00 |

3/4 HP, for doors up to 800 lbs.

| Model | Circuit Type | Volts | Ph | Hz | List Price |
|---------|--------------|---------|----|----|------------|
| H 75 11 | L3 or M | 115 | 1 | 60 | \$950.00 |
| H 75 21 | L3 or M | 230 | 1 | 60 | \$970.00 |
| H 75 23 | L3 or M | 208/230 | 3 | 60 | \$1,004.00 |
| H 75 43 | L3 or M | 460 | 3 | 60 | \$1,044.00 |
| H 75 53 | L3 or M | 575 | 3 | 60 | \$1,004.00 |

1 HP, for doors up to 1000 lbs. - CALL FOR PRICING

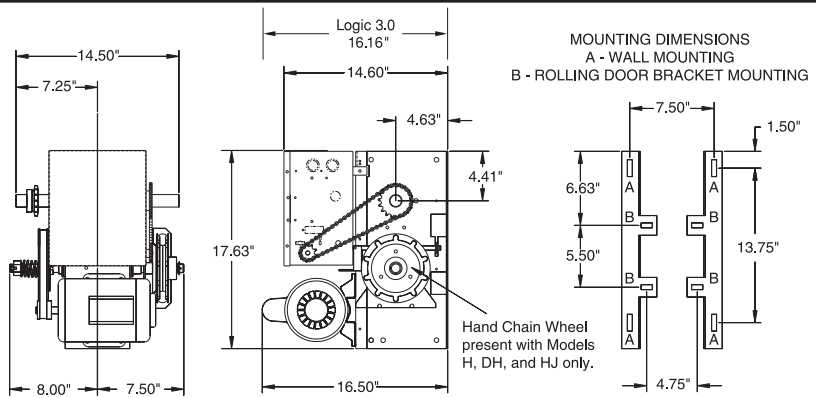
Door Sprocket Substitutions

| Sprocket | Description | List Price |
|--------------------------------------|---|-------------|
| 50B40 | 1" Bore, 1/4" Keyway, Standard for rolling doors | N/C |
| 50B18 | 1" Bore, 1/4" Keyway, Recommended for sectional doors | N/C |
| For all other sprocket substitutions | | Consult DEK |

Standard Features:

- Choice of 2 Control Circuits:
 - Logic 3.0 Control Board (L3) includes:
 - 315 MHz receiver accepts up to 23 Security+® or dipswitch remotes
 - Maintenance alert system
 - Maximum run timer
 - Delay on reverse
 - Programmable midstop
 - Timer to close (requires CPS-L or CPS-LN4)
 - Reversing Contactor Circuit (M)
- Floor level chain hoist with electrical interlock for emergency manual door operation
- High starting-torque continuous-duty motor with overload protection
- Heavy-duty 5L V-belt, #50 drive chain
- 3-button control station
- Ball bearings on output shaft
- Positive lock mechanical holding brake
- Prewired to accept sensing devices
- 24VAC control circuit (M), 5V DC (L3)
- Adjustable friction clutch
- Door speed 8 to 9 inches per second
- Approximate shipping weight – 110 lbs.

Technical information



| | | OPERATOR AMP RATING (Full Load) | | | | | | |
|-----------------|-------|---------------------------------|------|------|------|-------|---|---|
| VOLTAGE - PHASE | 60 HZ | HP | 1/2 | 3/4 | 1 | 1-1/2 | 2 | 3 |
| | | 115-1Ø | 11.2 | 11.2 | 13.6 | 17.5 | - | - |
| 230-1Ø | 5.6 | 5.6 | 6.8 | 8.7 | - | - | - | |
| 208/230-3Ø | 3.1 | 3.1 | 4.0 | 6.6 | 6.6 | 9.0 | - | |
| 460-3Ø | 1.4 | 1.4 | 1.8 | 3.1 | 3.1 | 4.3 | - | |
| 575-3Ø | 1.2 | 1.2 | 1.4 | 2.5 | 2.5 | - | - | |

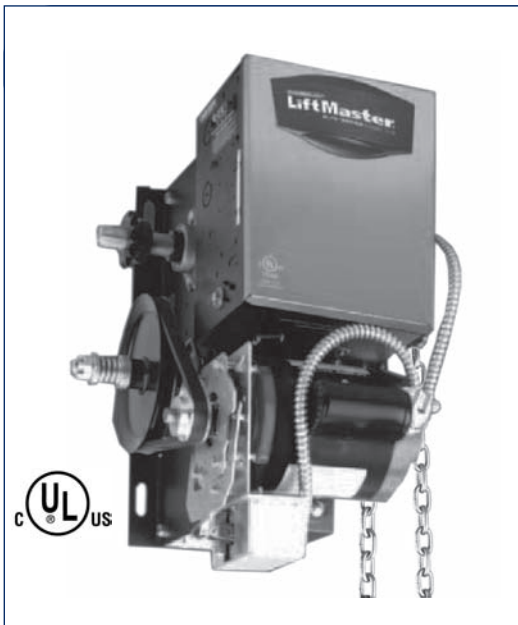


Options:

- See page 15 for available modifications



RBH - INDUSTRIAL-DUTY HOIST OPERATOR



For use on rolling doors, grilles and industrial sectional doors with vertical or high lift. High-cycle continuous duty.

1/2 HP, for doors up to 650 lbs.

| Model | Circuit Type | Volts | Ph | Hz | List Price |
|-----------|--------------|---------|----|----|------------|
| RBH 50 11 | L3 or M | 115 | 1 | 60 | \$1,017.00 |
| RBH 50 21 | L3 or M | 230 | 1 | 60 | \$1,017.00 |
| RBH 50 23 | L3 or M | 208/230 | 3 | 60 | \$1,038.00 |
| RBH 50 43 | L3 or M | 460 | 3 | 60 | \$1,038.00 |
| RBH 50 53 | L3 or M | 575 | 3 | 60 | \$1,038.00 |

3/4 HP, for doors up to 800 lbs.

| Model | Circuit Type | Volts | Ph | Hz | List Price |
|-----------|--------------|---------|----|----|------------|
| RBH 75 11 | L3 or M | 115 | 1 | 60 | \$1,047.00 |
| RBH 75 21 | L3 or M | 230 | 1 | 60 | \$1,047.00 |
| RBH 75 23 | L3 or M | 208/230 | 3 | 60 | \$1,067.00 |
| RBH 75 43 | L3 or M | 460 | 3 | 60 | \$1,067.00 |
| RBH 75 53 | L3 or M | 575 | 3 | 60 | \$1,067.00 |

Door Sprocket Substitutions

| Sprocket | Description | List Price |
|----------|---|------------|
| 50B40 | 1" Bore, 1/4" Keyway, Standard for rolling doors | N/C |
| 50B18 | 1" Bore, 1/4" Keyway, Recommended for sectional doors | N/C |

For all other sprocket substitutionsConsult DEK

Standard Features:

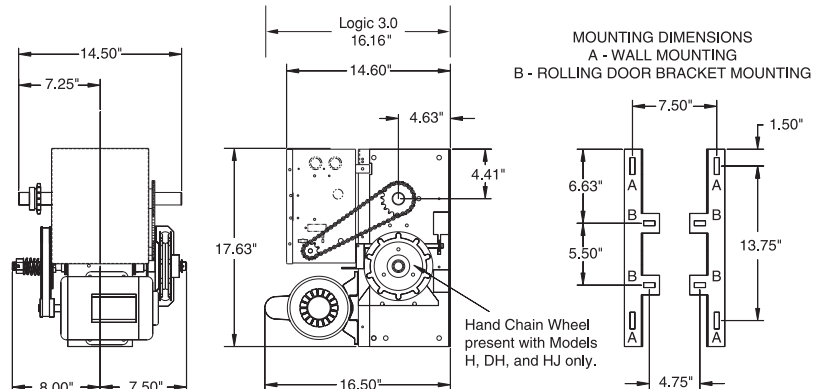
- Choice of 2 Control Circuits:
 - 1) Logic 3.0 Control Board (L3) includes:
 - 315 MHz receiver which accepts 23 Security+® or dipswitch remotes
 - Maintenance alert system
 - Maximum run timer
 - Delay on reverse
 - Programmable midstop
 - Timer to close (requires CPS-L or CPS-LN4)
 - 2) Reversing Contactor Circuit (M)
- Solenoid brake
- Pillow bearings on output shafts
- Floor level chain hoist with electrical interlock for emergency manual door operation
- High starting-torque continuous-duty motor with overload protection
- Heavy-duty 5L V-belt, #50 drive chain
- 3-button control station
- Prewired to accept sensing devices
- 24VAC control circuit (M), 5V DC (L3)
- Adjustable friction clutch
- Door speed 8 to 9 inches per second
- Approximate shipping weight – 115 lbs.



Options:

- See page 15 for available modifications

Technical information



| OPERATOR AMP RATING (Full Load) | | | | | | | |
|---------------------------------|-------|------|------|------|-------|-----|-----|
| VOLTAGE - PHASE | 60 HZ | HP | | | | | |
| | | 1/2 | 3/4 | 1 | 1-1/2 | 2 | 3 |
| 115-1Ø | | 11.2 | 11.2 | 13.6 | 17.5 | - | - |
| 230-1Ø | | 5.6 | 5.6 | 6.8 | 8.7 | - | - |
| 208/230-3Ø | | 3.1 | 3.1 | 4.0 | 6.6 | 6.6 | 9.0 |
| 460-3Ø | | 1.4 | 1.4 | 1.8 | 3.1 | 3.1 | 4.3 |
| 575-3Ø | | 1.2 | 1.2 | 1.4 | 2.5 | 2.5 | - |

MGH MEDIUM-DUTY GEAR REDUCED HOIST OPERATOR



For use on industrial sectional doors with high or vertical lift and on small rolling doors, shutters and grilles. Maximum recommended duty cycle: 12 cycles per hour.

1/2 HP, for doors up to 650 lbs.

| Model | Volts | Ph | Hz | List Price |
|--------------|-------|----|----|------------|
| MGH 50 11 MR | 115 | 1 | 60 | \$950.00 |
| MGH 50 11 ML | 115 | 1 | 60 | \$950.00 |

3/4 HP, for doors up to 800 lbs.

| Model | Volts | Ph | Hz | List Price |
|--------------|-------|----|----|------------|
| MGH 75 11 MR | 115 | 1 | 60 | \$1,007.00 |
| MGH 75 11 ML | 115 | 1 | 60 | \$1,007.00 |

Door Sprocket Substitutions

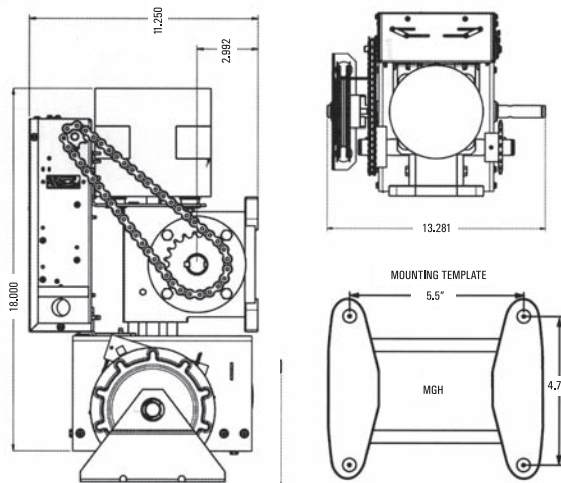
| Sprocket | Description | List Price |
|----------|--|------------|
| 41B32 | 1" Bore, 1/4" Keyway, Standard for rolling doors | N/C |
| 41B32 | Non-Standard Bore and Keyway for rolling doors | \$15.00 |
| 41B20 | 1" Bore, 1/4" Keyway, Standard for sectional doors | N/C |

For all other sprocket substitutionsConsult DEK

Standard Features:

- Floor level chain hoist with electrical interlock for emergency manual door operation
- 3-button control station
- High-starting torque motor with overload protection
- 24VAC control circuit
- Long-life dry-type capacitor
- Type C2 wiring standard, B2 easily field set by moving 1 jumper wire
- Prewired to accept sensing devices (see Sensing Devices - Safety Accessories)
- Fully adjustable linear-driven limit switch mechanism
- Motor removable without affecting limit settings
- Nema 1 type electrical enclosure
- 41B32 door sprocket and # 41 drive chain, included
- Baked-on high-durability black powdercoat finish
- Approximate shipping weight - 73 lbs

Technical information



| OPERATOR AMP RATING (Full Load) | | | |
|---------------------------------|--------|------|------|
| VOLTAGE - PHASE | HP | 1/2 | 3/4 |
| 60 HZ | 115-1Ø | 11.2 | 11.2 |



Options:

- See page 15 for available modifications

| MAXIMUM DOOR AREA (SQ. FT.) | | | | | | |
|-----------------------------|---------------|---------------------|---------------------|---------------------|---------------------|---------------------|
| ROLLING | 24 ga. Steel | 22 ga. Steel | — | 20 ga. 18 ga. Steel | 16 ga. Steel | — |
| | Alum. Grilles | Alum. Doors | — | Steel Doors | — | — |
| SECTIONAL | — | 24 ga. 22 ga. Steel | 20 ga. Steel | — | 16 ga. Steel | — |
| | Fiber-glass | Alum. Doors | Wood Doors | — | — | — |
| | — | — | 24 ga. Steel Insul. | — | 20 ga. Steel Insul. | 16 ga. Steel Insul. |
| HP 1/2 | 320 | 280 | 260 | 225 | 200 | 150 |
| HP 3/4 | 400 | 350 | 325 | 280 | 250 | 190 |



GH - HEAVY INDUSTRIAL-DUTY GEAR-REDUCED OPERATOR



For use on rolling doors, grilles, and industrial sectional doors with vertical or high lift. Continuous duty.

1/2 HP, for doors up to 800 lbs.

| Model | Circuit | Volts | Ph | Hz | List Price |
|----------|---------|---------|----|----|------------|
| GH 50 11 | L3 or M | 115 | 1 | 60 | \$1,181.00 |
| GH 50 21 | L3 or M | 230 | 1 | 60 | \$1,204.00 |
| GH 50 23 | L3 or M | 208/230 | 3 | 60 | \$1,225.00 |
| GH 50 43 | L3 or M | 460 | 3 | 60 | \$1,254.00 |
| GH 50 53 | L3 or M | 575 | 3 | 60 | \$1,225.00 |

3/4 HP, for doors up to 950 lbs.

| Model | Circuit | Volts | Ph | Hz | List Price |
|----------|---------|---------|----|----|------------|
| GH 75 11 | L3 or M | 115 | 1 | 60 | \$1,252.00 |
| GH 75 21 | L3 or M | 230 | 1 | 60 | \$1,274.00 |
| GH 75 23 | L3 or M | 208/230 | 3 | 60 | \$1,294.00 |
| GH 75 43 | L3 or M | 460 | 3 | 60 | \$1,324.00 |
| GH 75 53 | L3 or M | 575 | 3 | 60 | \$1,294.00 |

1 HP, for doors up to 1150 lbs.

| Model | Circuit | Volts | Ph | Hz | List Price |
|----------|---------|---------|----|----|------------|
| GH 10 11 | L3 or M | 115 | 1 | 60 | \$1,328.00 |
| GH 10 21 | L3 or M | 230 | 1 | 60 | \$1,352.00 |
| GH 10 23 | L3 or M | 208/230 | 3 | 60 | \$1,371.00 |
| GH 10 43 | L3 or M | 460 | 3 | 60 | \$1,390.00 |
| GH 10 53 | L3 or M | 575 | 3 | 60 | \$1,371.00 |

1 1/2 HP, for doors up to 1300 lbs.

| Model | Circuit | Volts | Ph | Hz | List Price |
|----------|---------|---------|----|----|------------|
| GH 15 11 | L3 or M | 115 | 1 | 60 | \$1,476.00 |
| GH 15 21 | L3 or M | 230 | 1 | 60 | \$1,492.00 |
| GH 15 23 | L3 or M | 208/230 | 3 | 60 | \$1,534.00 |
| GH 15 43 | L3 or M | 460 | 3 | 60 | \$1,550.00 |
| GH 15 53 | L3 or M | 575 | 3 | 60 | \$1,534.00 |

2 HP, 3 HP and 5HP - CALL FOR PRICING

Standard Features:

- Choice of 2 Control Circuits:
 - 1) Logic 3.0 Control Board (L3) includes:
 - 315 MHz receiver accepts up to 23 Security+® or dipswitch remotes
 - Maintenance alert system
 - Maximum run timer
 - Delay on reverse
 - Programmable midstop
 - Timer to close (requires CPS-L)
 - 2) Reversing Contactor Circuit (M)
- Solenoid brake, standard
- Floor level chain hoist with electrical interlock for manual door operation
- High starting-torque continuous-duty motor with overload protection
- 3-button control station
- Hoist wheel is easily moved to Right or Left hand side of unit, eliminating the need to order left or right hand mounting
- 24VAC control circuit (M), 5V DC (L3)
- Prewired to accept sensing devices
- 50B40 door sprocket and #50 drive chain – standard on 1/2 thru 1 HP models
- 50B60 door sprocket and #50 drive chain – standard on 1-1/2 and 2 HP models
- Door speed 8 to 9 inches per second
- Shipping weight – 125 lbs.

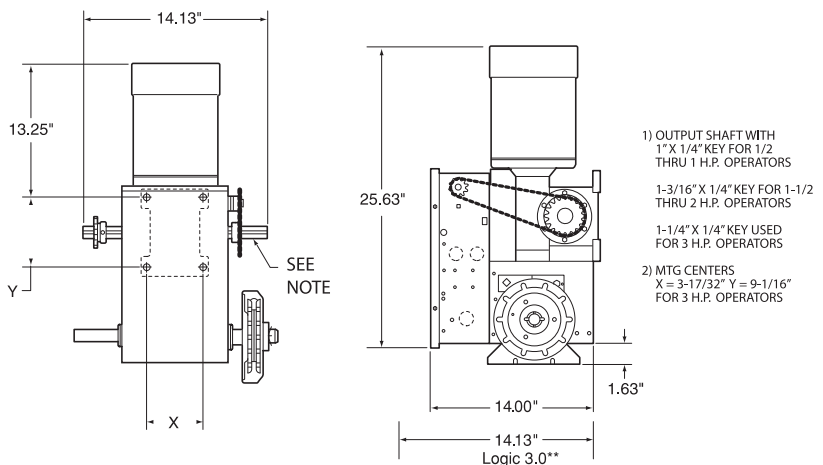


Options:

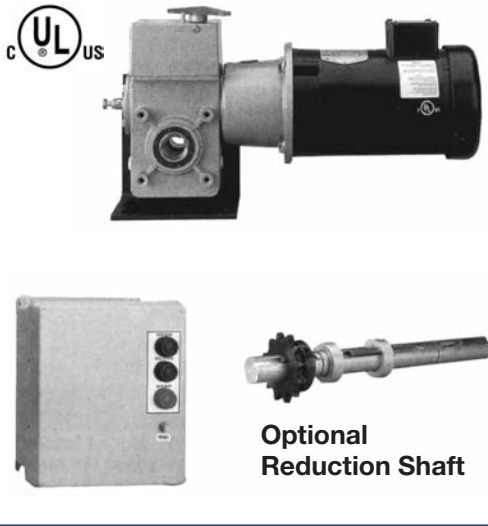
- See page 15 for available modifications

Door Sprocket Substitutions

| Sprocket | Description | List Price |
|--------------------------------------|---|-------------|
| 50B40 | 1" Bore, 1/4" Keyway, standard for rolling doors | N/C |
| 50B18 | 1" Bore, 1/4" Keyway, recommended for sectional doors | N/C |
| For all other sprocket substitutions | | Consult DEK |



EGJ DAMP ENVIRONMENT OPERATOR



For use in damp environments where direct spray is not present.

1/2 HP, for doors up to 650 lbs.

| Model | Circuit Type | Volts | Ph | Hz | List Price |
|-----------|--------------|-------|----|----|------------|
| EGJ 50 11 | M | 115 | 1 | 60 | \$1,719.00 |
| EGJ 50 21 | M | 230 | 1 | 60 | \$1,744.00 |
| EGJ 50 23 | M | 230 | 3 | 60 | \$1,768.00 |
| EGJ 50 43 | M | 460 | 3 | 60 | \$1,768.00 |
| EGJ 50 53 | M | 575 | 3 | 60 | \$1,768.00 |

Optional Equipment

| Description | Add to List Price |
|-------------|---|
| 71-13716 | Reduction Shaft \$110.00 |
| | requires sprocket and chain Consult DEK |
| 1A3982 | Operator Cover \$129.00 |

Standard Features:

- Continuous-duty, TEFC high-starting torque motor with instant reverse and overload protection. Available in 1/2 HP (375W); single phase. Capacitor start and 3-phase motors. Removable without affecting limit switch settings.
- 45:1 sealed gear reducer with internal clutch system. "through-Shaft" reducer design allows operator to be directly mounted onto the 1" torsion shaft of sectional doors, for an approximate door speed of 12"/second. Optional reduction shaft is required for use on rolling doors or sectional door to provide an approximate door speed of 8-9"/second.
- Easy manual operation upon activation of the floor level disconnect.
- C2 wiring is standard; B2 is easily selected, providing momentary contact to OPEN/CLOSE and STOP with open override. The operator is prewired to accept a sensing edge, photoelectric sensors, radio controls and most types of access control equipment.
- Across-the-line type, size "0" contactor motor switching, mechanically interlocked (NEMA 4 enclosure).
- Dynamic brake assures stopping of the door in damp environments.
- High-cycle sealed ball bearings on the gear reducer.
- Adjustable friction clutch helps protect against damage to the door and operator should the door meet an obstruction.
- 3-button station for OPEN/CLOSE and STOP functions is incorporated into the wall-mounted NEMA 4 electrical enclosure. Additional NEMA 4 controls with 1,2 or 3 buttons are available.
- NEMA 4 type wall-mounted starter and TEFC motor.
- 24V NEC Class 2 control circuit.
- Shipping weight - 125 lbs.



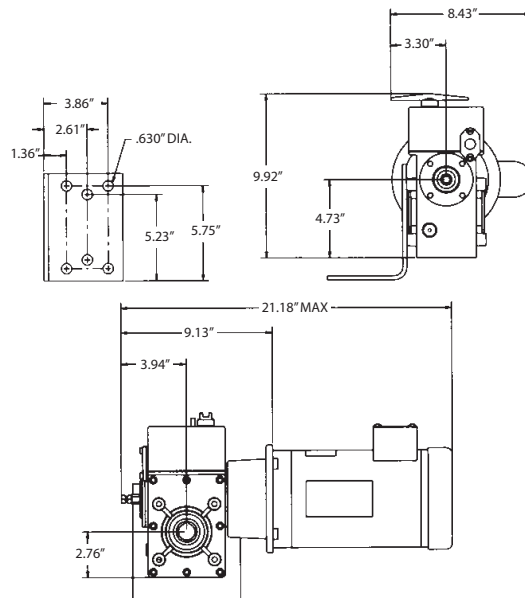
Options:

- See page 15 for available modifications

Optional Features

- Optional reduction shaft is required for use on rolling or sectional doors to provide an approximate door speed of 8-9"/second

Technical information



| MAXIMUM DOOR AREA (SQ. FT.) | | | | | | |
|-----------------------------|---------------|---------------------|---------------------|---------------------|---------------------|---------------------|
| ROLLING | 24 ga. Steel | 22 ga. Steel | — | 20 ga. 18 ga. Steel | 16 ga. Steel | — |
| | Alum. Grilles | Alum. Doors | — | Steel Doors | — | — |
| SECTIONAL | — | 24 ga. 22 ga. Steel | 20 ga. Steel | — | 16 ga. Steel | — |
| | Fiber-glass | Alum. Doors | Wood Doors | — | — | — |
| | — | — | 24 ga. Steel Insul. | — | 20 ga. Steel Insul. | 16 ga. Steel Insul. |
| HP 1/2 | | | | | | |



MODIFICATIONS AT A GLANCE

● Available Modification (See specific item for details) ■ Available, but not in conjunction with the Logic Control Board (L3)

| Part No. | Description | LGJ | MT | T | GT | APT | HCT | MJ | J | DJ,DH | MGJ | MH | H | GH | SD | GSD | Add To List Price | Ref. No. |
|-------------|---------------------------------------|-----|----|---|---------------------|-----|-----|----|---|-------|-----|----|---|----|----|-----|-------------------|----------|
| | | | | | | | | | | | | | | | | | | |
| ARK | Auto-Reconnect Trolley Kit | | ● | ● | 1/3 and 1/2 HP Only | | | | | | | | | | | | \$84.00 | M1 |
| BRAKE | Solenoid Brake, Std. Duty | | | ● | | | | | ● | ● | | | | | | | 103.00 | M2 |
| BRAKE | Sol. Brake, Hoisted Operators | | | | | | | | | ● | | | ● | | | | 113.00 | M3 |
| 90 9214 | Dynamic Brake Modification | | | ■ | ■ | | | | ■ | | | ■ | ■ | ■ | ■ | | 546.00 | M5 |
| 65 9212 | Friction Clutch | | | | | | | | | | | | | ● | | | 237.00 | M6 |
| 65 5209 | Manual Hoist (#48 Chain) Modification | | | ● | | | | | | | | | | | | | 396.00 | M7 |
| 65 5209 1 | Manual Hoist (#41 Chain) Modification | | | ● | | | | | | | | | | | | | 396.00 | M8 |
| 65 5209 2 | Manual Hoist, Model GT | | | | ● | | | | | | | | | | | | 505.00 | M9 |
| H/Model No. | Manual Hoist, Model J & DJ | | | | | | | | ● | ● | | | | | | | 198.00 | M10 |
| 65 7202 | Manual Hoist, Center Mt. Oper. | | | | | | | | ● | ● | | | | | | | 269.00 | M12 |
| 65 9207 | Auxiliary Trolley (#48 Chain) | | | | | | | | ● | | | | ● | ● | | | 396.00 | M13 |
| 65 9207 1 | Auxiliary Trolley (#41 Chain) | | | | | | | | ● | | | | ● | ● | | | 431.00 | M13 |
| 65 9213 | Dual Auxiliary (H & J #48 Chain) | | | | | | | | ● | | | | ● | ● | | | 792.00 | M15 |
| 65 9213 1 | Dual Auxiliary (H & J #41 Chain) | | | | | | | | ● | | | | ● | ● | | | 861.00 | M15 |
| 65 5208 | Dual Trolley Drive (#48 Chain) | | | ● | ● | | | | | | | | | | | | 356.00 | M17 |
| 65 5208 1 | Dual Trolley Drive (#41 Chain) | | | ● | ● | | | | | | | | | | | | 374.00 | M17 |
| 65 5210 | Minimum Depth Modification | | | ● | | | | | | | | | | | | | 246.00 | M19 |
| 65 7001 | Center Mount (For Model J) | | | | | | | | ● | | | | | | | | 112.00 | M20 |
| 65 9001 | Center Mount (For Model GH) | | | | | | | | | | | | | ● | | | 259.00 | M21 |
| 65 5207 | Slow Door Speed, Belt | | | ● | | | | | | | | | | | ● | | 74.00 | M22 |
| 65 5207 1 | Slow Door Speed, Gear | | | | ● | | | | | | | | | | | ● | 142.00 | M23 |
| 65 5211 | High Cycle Mod. (Model T & SD) | | | ● | | | | | | | | | | | ● | | 362.00 | M24 |
| 65 12729 | Roller Bearing, 3/4" (Model T & SD) | | | ● | | | | | | | | | | | ● | | 167.00 | M25 |
| 65 5211 A | Roller Bearing (APT, T & SD) | | | ● | | | | | | | | | | | ● | | 292.00 | M26 |
| 65 124164 | Roller Bearing, 1" (Model J & H) | | | | | | | | ● | | | | ● | | | | 239.00 | M27 |
| 65 5212 | Dual V-Belt Modification | | | ● | | ● | | | ● | ● | | | ● | | | | 142.00 | M28 |
| 02 515 | Emergency Egress, Flush, 15' | ● | | | | | | ● | ● | ● | ● | | | | | | 131.00 | M29 |
| 02 515 30 | Emergency Egress, Flush, 30' | ● | | | | | | ● | ● | ● | ● | | | | | | 200.00 | M29 |
| 02 516 | Emergency Egress, Extended, 15' | ● | | | | | | ● | ● | ● | ● | | | | | | 131.00 | M30 |
| 02 516 30 | Emergency Egress, Extended, 30' | ● | | | | | | ● | ● | ● | ● | | | | | | 200.00 | M30 |
| 65 6202 | Hand Crank, H | | | | | | | | | ● | | | ● | | | | 216.00 | M31 |
| 65 9201 | Hand Crank, GH | | | | | | | | | | | | | ● | | | 175.00 | M32 |
| 65 5501 | Bi-Part Door Modification | | | | | | | | | | | | | | ● | ● | 192.00 | M33 |
| 65 5502 | Fusible Link, Single Slide | | | | | | | | | | | | | | ● | ● | 123.00 | M34 |
| 65 5503 | Fusible Link, Bi-Part Slide | | | | | | | | | | | | | | ● | ● | 192.00 | M35 |
| V/Model No. | Variable Speed | | | | | | | | | | | | | | | ■ | CALL | M37 |
| 90 827 | Decel. at Full Open/Close (V/Only) | | | | ■ | ■ | | | | | | | | | | ■ | 288.00 | M38 |
| 90-Motion | Limit and Sprocket (See p. D17) | | | ● | ● | ● | | | ● | ● | | | ● | ● | | ● | CALL | M39 |
| 90-Motion | MADA/LADA Circuit | | | ● | ● | ● | | | ● | ● | | | ● | ● | | ● | 307.00 | M40 |
| 90-Motion | Door in Motion Circuit | | | ■ | ■ | ■ | | | ■ | ■ | | | ■ | ■ | | ■ | 104.00 | M41 |
| CPS3 | Commercial Protector System® | | | | | | | | | | | | | | | | CALL | M50 |
| AUXCARD | Auxiliary Contact Option Board | | | | | | | | | | | | | | | | \$51.00 | M51 |
| RDGRNCARD | Warning Device Option Board | | | | | | | | | | | | | | | | 96.00 | M52 |
| 90 TS | TS Wiring Type | | | ■ | ■ | | | | ■ | ■ | | | ■ | ■ | ■ | ■ | 167.00 | M53 |
| 90 T | T Wiring Type | | | ■ | ■ | | | | ■ | ■ | | | ■ | ■ | ■ | ■ | 198.00 | M54 |
| 90 T1 | T1 Wiring Type | | | ■ | ■ | | | | ■ | ■ | | | ■ | ■ | ■ | ■ | 198.00 | M55 |
| 90 T2 | T2 Wiring Type | | | ■ | ■ | | | | ■ | ■ | | | ■ | ■ | ■ | ■ | 198.00 | M56 |
| 90 D1 | D1 Wiring Type | | | ■ | ■ | | | | ■ | ■ | | | ■ | ■ | ■ | ■ | N/C | M57 |
| 90 E2 | E2 Wiring Type | | | ■ | ■ | | | | ■ | ■ | | | ■ | ■ | ■ | ■ | 61.00 | M58 |
| 90 F2 | F2 Wiring Type | | | ■ | ■ | | | | ■ | ■ | | | ■ | ■ | ■ | ■ | 140.00 | M59 |
| 90 9206K | Delay-on-Reverse Modification | | | ■ | ■ | | | | ■ | ■ | | | ■ | ■ | ■ | ■ | CALL | M60 |
| 90 9207M | Mid-Stop Modification | | | ■ | ■ | | | | ■ | ■ | | | ■ | ■ | ■ | ■ | 39.00 | M61 |
| 71 909207 | Mid-Stop Field Kit | | | ■ | ■ | | | | ■ | ■ | | | ■ | ■ | ■ | ■ | 64.00 | M61 |
| 90 9210M | Aux. Mini, Limit Sws.(Wire Leads) | ● | ● | ● | ● | ● | | ● | ● | ● | ● | ● | ● | ● | ● | ● | CALL | M62 |
| 90 9210M T | Aux. Mini, Limit Sws.(Term. Conn.) | ■ | ■ | ■ | ■ | ■ | | ■ | ■ | ■ | ■ | ■ | ■ | ■ | ■ | ■ | CALL | M63 |
| 90 78002K | Aux. Con. Blk., K Line (Wire Leads) | | | ■ | ■ | | | | ■ | ■ | | | ■ | ■ | ■ | ■ | 36.00 | M64 |
| 90 78002K T | Aux. Con. Blk., K Line (Term. Conn.) | | ■ | ■ | ■ | | | ■ | ■ | ■ | | | ■ | ■ | ■ | ■ | 47.00 | M65 |

FOR DETAILED DESCRIPTIONS, PLEASE CALL YOUR SALES REPRESENTATIVE

POWER TRANSMISSION

CONTROL WIRING

TO ORDER CALL DEK CANADA AT 1-800-361-3198 OR FAX AT 514-685-5804

| Part No. | Description | LGJ | MT | T | GT | APT | HCT | MJ | J | DJ,DH | MGJ | MH | H | GH | SD | GSD | Add To List Price | Ref. No. |
|---|---------------------------------------|-----|----|---|----|-----|-----|----|---|-------|-----|----|---|----|----|-----|-------------------|----------|
| 65 ID | Two Door Interlock System | | | ● | ● | | | | ● | | | | ● | ● | ● | ● | \$53.00 | M66 |
| 90 RL | Reverse Limits | | ● | ● | ● | | | ● | ● | | ● | ● | ● | ● | ● | ● | 15.00 | M67 |
| 90 5024 | Long Dist. Cont. Wiring, 24VAC | | | ■ | ■ | | | | ■ | | | | ■ | ■ | ■ | ■ | 136.00 | M68 |
| 50 24 | Long Dist. Cont. Wiring, 24VAC Kit | | | ■ | ■ | | | | ■ | | | | ■ | ■ | ■ | ■ | 134.00 | M68 |
| 90 503000 | Non-Resettable Counter | | ● | ● | ● | ● | | ● | ● | ● | ● | ● | ● | ● | ● | ● | 70.00 | M70 |
| 90 100 OP1 | 100 VA Transformer | | | ■ | ■ | ■ | | | ■ | ■ | | | ■ | ■ | ■ | ■ | 109.00 | M71 |
| 90 100 OP3 | 100 VA Transformer | | | ■ | ■ | ■ | | | ■ | ■ | | | ■ | ■ | ■ | ■ | 109.00 | M71 |
| 90 EI | Electrically Interlocked Contactor | | | ■ | ■ | ■ | | | ■ | ■ | | | ■ | ■ | ■ | ■ | 75.00 | M72 |
| 90 254000 | Overload Relay Modification | | | ■ | ■ | ■ | | | ■ | ■ | | | ■ | ■ | ■ | ■ | 57.00 | M73 |
| 90 9211 | 115V Control Circuit | | | ■ | ■ | ■ | | | ■ | ■ | | | ■ | ■ | ■ | ■ | 130.00 | M74 |
| 90 9209 | Ground & Fuse XFMR Sec. | | | ■ | ■ | ■ | | | ■ | ■ | | | ■ | ■ | ■ | ■ | 41.00 | M75 |
| 90 54028 | Courtesy Light, Std. Oper. | | | ■ | ■ | ■ | | | ■ | ■ | | | ■ | ■ | ■ | ■ | 124.00 | M76 |
| 90 54028 | Courtesy Light, Med.-Duty Oper. | | ■ | | | | | ■ | | | ■ | ■ | | | | | 83.00 | M77 |
| FOR DETAILED DESCRIPTIONS, PLEASE CALL YOUR SALES REPRESENTATIVE | | | | | | | | | | | | | | | | | | |
| 65 20 | TEFC Motor | | | ● | ● | | | | ● | ● | | | ● | ● | ● | ● | \$84.00 | M100 |
| 65 9206 | Watertight/Oiltight Control Encl. | | | ■ | ■ | | | | ■ | | | | ■ | ■ | ■ | ■ | 410.00 | M101 |
| C/Model No. | Damp Environment Modification | | | ● | ● | | | ● | | | | | ● | ● | ● | ● | 739.00 | M102 |
| N4/Model No. | Watertight/Oiltight (NEMA 4/12) | | | ■ | ■ | | | | | | | | ■ | ■ | ■ | ■ | 1,352.00 | M103 |
| N4X/Model No. | Corrosion-Resistant (NEMA 4X) | | | ■ | ■ | | | | | | | | ■ | ■ | ■ | ■ | 1,666.00 | M104 |
| N7/Model No. | Hazardous Area (NEMA 7/9) Wall-Mt. | | | ■ | ■ | | | | | | | | ■ | ■ | ■ | ■ | 2,173.00* | M105 |
| 90 9204 | JIC Specifications | | | ■ | ■ | | | | ■ | | | | ■ | ■ | ■ | ■ | 1,570.00 | M106 |
| 90 9212 | Automotive Specifications | | | ■ | ■ | | | | ■ | | | | ■ | ■ | ■ | ■ | 2,485.00 | M107 |
| 90 921214 | Automotive Specifications | | | ■ | ■ | | | | ■ | | | | ■ | ■ | ■ | ■ | 2,678.00 | M107 |
| 65 3012 1 | Self-Reg. Heater 115V (Plug Type) | | | | | | | | | | | | | ● | | | 167.00** | M108 |
| 65 3012 2 | Self-Reg. Heater 230/460V (Plug Type) | | | | | | | | | | | | | ■ | | | 272.00*** | M109 |

FOR DETAILED DESCRIPTIONS, PLEASE CALL YOUR SALES REPRESENTATIVE

Special Note to Price List

- * For GH 30 Series (3 HP models) add \$3,434.00 to list price in lieu of \$2,173.00.
- ** For GH 50, GH 75 and GH 100 Series (1 HP and lower) add \$246.00 to list price in lieu of \$167.00.
- *** For GH 50, GH 75 and GH 100 Series (1 HP and lower) add \$355.00 to list price in lieu of \$272.00.

PLEASE NOTE:

For detailed descriptions, please call your DEK sales representative.

Prices Are Added to List Price of Operator: Modifications must be ordered at the same time the operator is ordered unless a kit part number is shown on the description page. The modification prices shown are published as an "add" to list price of the operator and do not reflect the cost of a modification purchased without an operator (if possible), such as a Combination Reversing Starter (CRS). Consult your sales representative for specific details on a particular modification.

Costly and Prohibited Combinations: Certain combinations of modifications may together cost more than the sum of the costs for the individual modifications, or may not even be possible. Please carefully read the detailed description of the modifications being considered. If there are any questions about the above, consult your sales representative.



MODIFICATIONS AT A GLANCE

- Available Modification (See specific item for details)
- Available, but not in conjunction with the

Logic Control Board (L3)

| Part No. | Description | LGJ | MT | T | GT | APT | HCT | MJ | J | DJ,DH | MGJ | MH | H | GH | SD | GSD | Add To List Price | Ref. No. |
|-----------|------------------------------|-----|----|---|----|-----|-----|----|---|-------|-----|----|---|----|----|-----|-------------------|----------|
| | | | | | | | | | | | | | | | | | | |
| 90 3001 | WMS, NEMA 1, Screw Cover | | | ■ | ■ | | | | ■ | | ■ | | ■ | ■ | ■ | ■ | \$239.00 | M130 |
| 90 3002 | WMS, NEMA 1, Hinged Cover | | | ■ | ■ | | | | ■ | | ■ | | ■ | ■ | ■ | ■ | 299.00 | M131 |
| 90 3004 | WMS, NEMA 4/12, Hinged Cover | | | ■ | ■ | | | | ■ | | ■ | | ■ | ■ | ■ | ■ | 444.00 | M132 |
| 90 3012 | NEMA 12 Wall Mounted Starter | | | ■ | ■ | | | | ■ | | ■ | | ■ | ■ | ■ | ■ | 369.00 | M132A |
| 90 6002 | CRS, NFDS, N1, Size 0 | | | ■ | ■ | | | | ■ | | ■ | | ■ | ■ | ■ | ■ | 677.00 | M133 |
| 90 6004 | CRS, NFDS, N4, Size 0 | | | ■ | ■ | | | | ■ | | ■ | | ■ | ■ | ■ | ■ | 867.00 | M134 |
| 90 6012 | CRS, NFDS, N12, Size 0 | | | ■ | ■ | | | | ■ | | ■ | | ■ | ■ | ■ | ■ | 813.00 | M135 |
| 90 7001 | CRS, FDS, N1, Size 0 | | | ■ | ■ | | | | ■ | | ■ | | ■ | ■ | ■ | ■ | 702.00 | M136 |
| 90 7004 | CRS, FDS, N4, Size 0 | | | ■ | ■ | | | | ■ | | ■ | | ■ | ■ | ■ | ■ | 896.00 | M137 |
| 90 7012 | CRS, FDS, N12, Size 0 | | | ■ | ■ | | | | ■ | | ■ | | ■ | ■ | ■ | ■ | 839.00 | M138 |
| 90 8001 2 | CRS, CB, N1, Size 0, 250V | | | ■ | ■ | | | | ■ | | ■ | | ■ | ■ | ■ | ■ | 886.00 | M139 |
| 90 8001 4 | CRS, CB, N1, Size 0, 480V | | | ■ | ■ | | | | ■ | | ■ | | ■ | ■ | ■ | ■ | 1,059.00 | M140 |
| 90 8001 6 | CRS, CB, N1, Size 0, 600V | | | ■ | ■ | | | | ■ | | ■ | | ■ | ■ | ■ | ■ | 1,148.00 | M141 |
| 90 8004 2 | CRS, CB, N4, Size 0, 250V | | | ■ | ■ | | | | ■ | | ■ | | ■ | ■ | ■ | ■ | 1,262.00 | M142 |
| 90 8004 4 | CRS, CB, N4, Size 0, 480V | | | ■ | ■ | | | | ■ | | ■ | | ■ | ■ | ■ | ■ | 1,399.00 | M143 |
| 90 8004 6 | CRS, CB, N4, Size 0, 600V | | | ■ | ■ | | | | ■ | | ■ | | ■ | ■ | ■ | ■ | 1,531.00 | M144 |
| 90 8012 2 | CRS, CB, N12, Size 0, 250V | | | ■ | ■ | | | | ■ | | ■ | | ■ | ■ | ■ | ■ | 1,108.00 | M145 |
| 90 8012 4 | CRS, CB, N12, Size 0, 480V | | | ■ | ■ | | | | ■ | | ■ | | ■ | ■ | ■ | ■ | 1,148.00 | M146 |
| 90 8012 6 | CRS, CB, N12, Size 0, 600V | | | ■ | ■ | | | | ■ | | ■ | | ■ | ■ | ■ | ■ | 1,284.00 | M147 |
| 90 8007 2 | CRS, CB, N7, Size 0, 250V | | | ■ | ■ | | | | ■ | | ■ | | ■ | ■ | ■ | ■ | 5,038.00 | M148 |
| 90 8007 4 | CRS, CB, N7, Size 0, 480V | | | ■ | ■ | | | | ■ | | ■ | | ■ | ■ | ■ | ■ | 5,541.00 | M149 |
| 90 8007 6 | CRS, CB, N7, Size 0, 600V | | | ■ | ■ | | | | ■ | | ■ | | ■ | ■ | ■ | ■ | 5,284.00 | M150 |
| 90 2504 | External Reset OL, N4/12 | | | ■ | ■ | | | | ■ | | ■ | | ■ | ■ | ■ | ■ | 57.00 | M152 |
| 90 1004 | Size 1 Starter, N1/4/12 | | | ■ | ■ | | | | ■ | | ■ | | ■ | ■ | ■ | ■ | 202.00 | M153 |
| 90 1007 | Size 1 Starter, N7/9 | | | ■ | ■ | | | | ■ | | ■ | | ■ | ■ | ■ | ■ | 1,0933.00 | M154 |
| 90 100 | 100 va Transformer, N1/4/12 | | | ■ | ■ | | | | ■ | | ■ | | ■ | ■ | ■ | ■ | 62.00 | M155 |

FOR DETAILED DESCRIPTIONS, PLEASE CALL YOUR SALES REPRESENTATIVE SEPARATE STARTER

PLEASE NOTE:

For detailed descriptions, please call your DEK sales representative.

Prices Are Added to List Price of Operator: Modifications must be ordered at the same time the operator is ordered unless a kit part number is shown on the description page. The modification prices shown are published as an "add" to list price of the operator and do not reflect the cost of a modification purchased without an operator (if possible), such as a Combination Reversing Starter (CRS). Consult your sales representative for specific details on a particular modification.

Costly and Prohibited Combinations: Certain combinations of modifications may together cost more than the sum of the costs for the individual modifications, or may not even be possible. Please carefully read the detailed description of the modifications being considered. If there are any questions about the above, consult your sales representative.

ACCESSORIES

PUSH BUTTON CONTROL STATIONS

OPEN/STOP/CLOSE

| | | |
|----------|---|----------|
| 02 103 L | 3-Button Control (NEMA 1) with Maintenance Alert System™ LED..... | \$28.00 |
| 02 103 | 3-Button Control (NEMA 1)..... | \$26.00 |
| 02 108 | 3-Button Control (NEMA 1) flush mount | \$66.00 |
| 02 403 | 3-Button Control (NEMA 4/12) metal enclosure..... | \$109.00 |
| 02 403 P | 3-Button Control (NEMA 4/12) polycarbonate enclosure..... | \$103.00 |
| 02 406 | 3-Button Control (NEMA 4/12) with key | \$152.00 |
| 02 703 | 3-Button Control (Hazardous Area)..... | \$416.00 |

OPEN/CLOSE

| | | |
|--------|---|---------|
| 02 102 | 2-Button Control (NEMA 1)..... | \$25.00 |
| 02 107 | 2-Button Control (NEMA 1) flush mount | \$63.00 |
| 02 402 | 2-Button Control (NEMA 4/12) metal enclosure..... | \$92.00 |

OPEN

| | | |
|--------|--------------------------------|---------|
| 02 101 | 1-Button Control (NEMA 1)..... | \$19.00 |
|--------|--------------------------------|---------|

START

| | | |
|--------|---|---------|
| 02 106 | 1-Button Control (NEMA 1) flush mount | \$60.00 |
| 02 401 | 1-Button Control (NEMA 4/12) metal enclosure..... | \$72.00 |

PULL-SWITCH CONTROLS

| | | |
|----------|--|----------|
| 02 111 | Single Pull-Switch (NEMA 1) | \$68.00 |
| 02 411 | Single Pull-Switch (NEMA 4/12)..... | \$124.00 |
| 02 711 | Single Pull-Switch (NEMA 7/9) | \$367.00 |
| 02 111 1 | Dual Pull-Switch (NEMA 1) 2 N.O. contacts..... | \$77.00 |
| 02 411 1 | Dual Pull-Switch (NEMA 4/12) 2 N.O. contacts | \$131.00 |

KEY CONTROL STATIONS

| | | |
|----------|--|----------|
| 02 109 | OPEN/CLOSE key switch flush mount (NEMA 1) tamperproof..... | \$86.00 |
| 02 109 B | OPEN/CLOSE key switch flush mount (NEMA 1) tamperproof with BEST lock | \$198.00 |
| 02 404 | OPEN/CLOSE key switch (NEMA 4/12) | \$93.00 |
| 02 409 | OPEN/CLOSE key switch (NEMA 4/12) tamperproof | \$116.00 |
| 02 409 B | OPEN/CLOSE key switch (NEMA 4/12) tamperproof with BEST lock..... | \$241.00 |
| 02 110 | OPEN/CLOSE key switch w/STOP button. flush mt. (NEMA 1) tamperproof | \$104.00 |
| 02 110 B | OPEN/CLOSE key switch w/STOP button. flush mt. (NEMA 1) tamperproof with BEST lock..... | \$226.00 |
| 02 405 | OPEN/CLOSE key switch (NEMA 4/12) | \$105.00 |
| 02 410 | OPEN/CLOSE key switch (NEMA 4/12) tamperproof | \$152.00 |
| 02 410 B | OPEN/CLOSE key switch (NEMA 4/12) tamperproof with BEST lock..... | \$277.00 |
| 02 407 | ON/OFF key switch (NEMA 4/12) | \$82.00 |

SENSING DEVICES AND RELATED EQUIPMENT

COMMERCIAL/INDUSTRIAL PHOTO-EYES

| | | |
|-----------------------|---|-----------------|
| CPS (41K 4629) | Commercial Protector System® Photo-Electric Sensing Device (not for use with Solid-State Logic Board) | \$169.00 |
| CPS-N4 | | \$229.00 |
| | • <i>Includes electrical interface box (which allows for proper wiring to any LiftMaster® mechanical dual-relay operator)</i> | |
| | • <i>May be used with additional CPS® units for incremental safety on either Logic 3.0 or mechanical dual-relay operators</i> | |
| CPSL | Photo-Electric Sensing Device for operators with Logic 3.0 Control board | \$140.00 |
| CPSL-N4 | Photo-Electric Sensing Device, waterproof, operators with Logic 3.0 Control board | \$230.00 |
| | <i>CPSL, CPSL-N4 are required to activate the closing timer, Logic 3.0 Control board</i> | |
| 50 WSE | Wireless receiver + transmitter for Electric Edge | \$208.00 |
| 50 WSP | Wireless receiver + transmitter for Pneumatic Edge | \$216.00 |
| 65 8202 | Complete Pneumatic Edge Kit for doors up to 14' wide (includes hose, exterior SPDT air switch, 20' ext. 2-wire coiled cord, clamps and plug) | \$88.00 |
| 65 8302 | Complete Pneumatic Edge Kit for doors up to 22' wide (same as above, but with 22' air hose) | \$101.00 |
| 65 5202 | Complete Pneumatic Edge Kit with take-up reel, for doors up to 14' wide (same as #65 8202, but with 2-wire take-up reel) | \$93.00 |
| 65 5302 | Complete Pneumatic Edge Kit with take-up reel, for doors up to 22' wide (same as #65 8302, but with 2-wire take-up reel) | \$105.00 |
| 50 101 2 | Exterior 3-wire air switch SPDT | \$39.00 |
| 50 104 1 | Coiled cord, 2-wire 18 ga. 20 ft. extended | \$36.00 |
| 50 104 2 | Coiled cord, 3-wire 18 ga. 20 ft. extended (orange) | \$36.00 |
| 50 105 | Coiled cord, 4-wire 18 ga. 20 ft. extended | \$84.00 |
| 50 106 | Take-up reel, 2-wire 18 ga. 20 ft. extended | \$40.00 |
| 50 107 | Take-up reel, 3-wire 18 ga. 20 ft. extended | \$65.00 |
| 50 107 30 | Take-up reel, 3-wire 18 ga. 30 ft. extended | \$93.00 |
| 50 107 SO | Take-up reel, 3-wire 18 ga. 30 ft. extended type SO | \$136.00 |

Miscellaneous

| | | |
|------------------|---|----------------|
| 08 9098 | Angle mounting bracket, cast iron for Models J, MGJ, H, DJ, DH and GH | \$61.00 |
| 10 9095 | Angle mounting bracket, steel for Models MJ and MH (may be welded) | \$40.00 |
| 10 9095 1 | Angle mounting bracket, steel for Model LGJ (may be welded) | \$42.00 |
| 10 9099 | Wall mounting bracket, steel for Models J, MGJ, H, DJ, DH and GH (may be welded) | \$50.00 |
| 10 12360 | Angle mount bracket, painted steel for Models MJ, MH, J, H, DJ and DH | \$61.00 |
| 71 6023 | Chain Tensioner Set for 1" door and operator shafts | \$21.00 |
| 71 6125 | Chain Tensioner Set for 1" opener shaft and 1 1/4" door shaft | \$26.00 |

New EZ Mounting

The new EZ mounting for heavy-duty belt drive and gearhead operators. These kits include the new EZ adapter plate with mounting bolts which provide you the ability to simply lift the operator onto the "pre-set" bolts making the installation much faster and safer. This is ideal for use with Model GH operators where balancing an operator could be difficult. (Not for use with Model GH 3 HP)

| | | |
|-------------------|--|----------------|
| 08 9098 EZ | Angle mount bracket 08 9098 complete with EZ mounting adapter | \$73.00 |
| 1A4324 EZ | Angle mount bracket 1A4324 complete with EZ mounting adapter | \$73.00 |
| 1A4324 | Hood-mount bracket steel without EZ mounting adapter | \$61.00 |

SENSING EDGES

WARNING: It is strongly recommended that some type of safety equipment be used with every door operator. Without safety equipment serious injury or death may result!

SENSING EDGES

A sensing edge should be on every door for the protection of pedestrians and vehicles. Depending on the type of edge and type of control wiring of the operator with which it is used, the function of the edge will vary.

STANDARD EDGE:

A standard 2-wire edge will cause a door to reverse when it meets an obstruction while closing if the operator has type B2, C2, S2, T, T1 or TS control wiring.

FAILSAFE EDGE:

A failsafe edge (or self-monitoring edge) requires either a 3- or 4-wire connection and will not only cause a door to reverse while closing but will also render the door inoperable if the edge is not installed or if it becomes damaged after installation. A failsafe electric edge requires an operator with type F2 wiring (Mechanical Operator) or the use of a CPS3CARD option board (Logic 3 Operator).

IMPORTANT NOTES:

1. SPECIFY LENGTH OF EDGE WHEN ORDERING.
2. FOR ELECTRIC EDGES, LENGTH EQUALS DAYLIGHT OPENING MINUS 2 INCHES. MINIMUM LENGTH - 5 FT.
3. A COIL CORD OR TAKE-UP REEL IS REQUIRED WITH ALL EDGES (see Sensing Edge Connections). SOME FAILSAFE APPLICATIONS MAY REQUIRE A 3- OR 4-WIRE CORD. Consult your sales representative.
4. TAKE-UP REELS ARE NOT RECOMMENDED FOR USE WITH ANY FAILSAFE TYPE EDGE. USE COIL CORDS ONLY.
5. If door is over 22 feet wide, electric edges or photo-eyes are highly recommended.

Consult your sales representative for further information on any of the above.

ELECTRIC EDGES



65 8203\$24.00/ft
Miller MU 22 U-type, 2-wire electric edge for sectional, sliding and bi-fold doors. Specify right or left hand wire connections.

65 8203 4.....\$25.00/ft
Same as above except 4-wire for failsafe use.



65 8204\$24.00/ft
Miller MT 22 T-type, 2-wire electric edge for rolling doors with double-angle bottom bars. Specify right or left hand wire connections.

65 8204 4.....\$25.00/ft
Same as above except 4-wire for failsafe use.

ELECTRIC EDGES

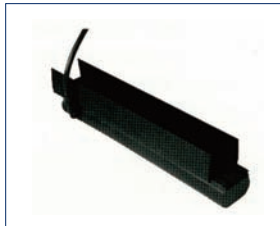


65 ME123.....\$25.00/ft
Miller ME123 2-wire electric edge for sectional or rolling doors. Specify right or left hand wire connections. REQUIRES correct mounting channel (see below).

65 ME123 4\$27.00/ft
Same as above except 4-wire type for failsafe use. Type F2 wiring (Mechanical Operators) on a CPS3CARD option board (Logic 3 Operators is required for the operator).

65 ME123 C.....\$5.00/ft
T-shaped mounting channel for ME123 type edge. Fits between back-to-back L-angles used as a bottom bar on rolling doors.

65 ME123 CA3.....\$5.00/ft
L-shaped mounting channel for ME123 type edge. Used on sectional doors.



65 ME113.....\$24.00/ft
Miller ME113 2-wire electric edge for sectional or rolling doors. Specify right or left hand wire connections. REQUIRES correct mounting channel (see below).

65 ME113 4\$25.00/ft
Same as above except 4-wire type for failsafe use. Type F2 wiring (Mechanical Operators) on a CPS3CARD option board (Logic 3 Operators is required for the operator).

65 ME113 C.....\$4.00/ft
L-shaped mounting channel for ME113 type edge. Use on sectional doors.

65 ME113 C1.....\$4.00/ft
T-shaped mounting channel for ME113 type edge. Fits between back-to-back L-angles used as a bottom bar on rolling doors.

65 ME113 CA3.....\$4.00/ft
L-shaped mounting channel for ME113 type edge. Used on sectional doors.

ELECTRIC EDGES



65 ME120.....\$27.00/ft
Miller ME120 2-wire electric edge for sliding doors. Requires mounting channel (see below).

65 ME120 4\$30.00/ft
Same as above except 4-wire type for failsafe use. Type F2 wiring (Mechanical Operators) on a CPS3CARD option board (Logic 3 Operators is required for the operator).

65 ME120 C.....\$4.00/ft
Mounting channel for all ME120 type edges.

WIRELESS INFRARED SAFETY EDGE RECEIVER & TRANSMITTER - PNEUMATIC EDGE TYPE

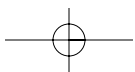
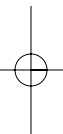
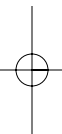


A wireless, infrared, supervised safety edge system eliminates the need for take-up reels or cords found on other safety edge products. For use with rolling steel doors only. Kit includes receiver and transmitter, 3-volt battery for transmitter included. Installer to supply pneumatic edge and plug.

50 WSP\$216.00/ft
List Price per Set

All pricing shown represents list pricing

We carry the complete line of Miller Edge products, call us if you don't see the product you're looking for.





1928 St-Régis Blvd, Dorval, Quebec H9P 1H6
Tel.: (514) 685-5800 • Toll Free: 1-800-361-3198 • Fax: 514-685-5804
www.dekcanada.com